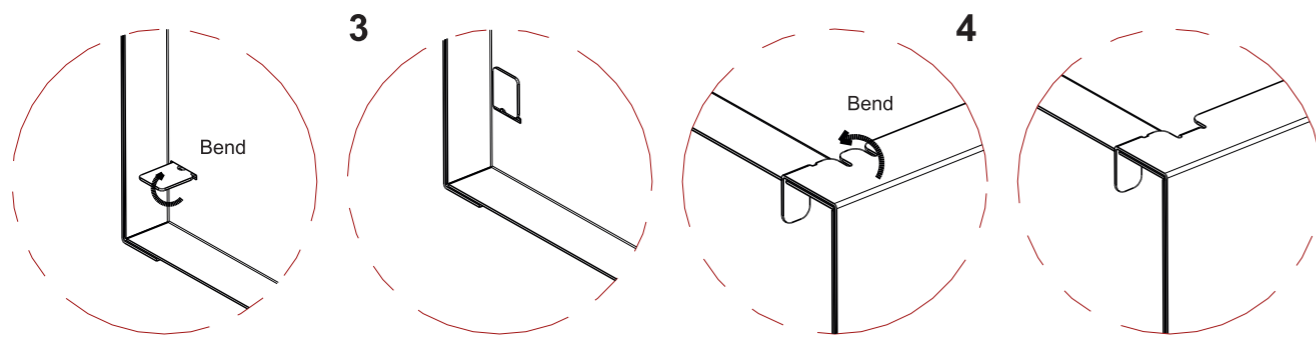
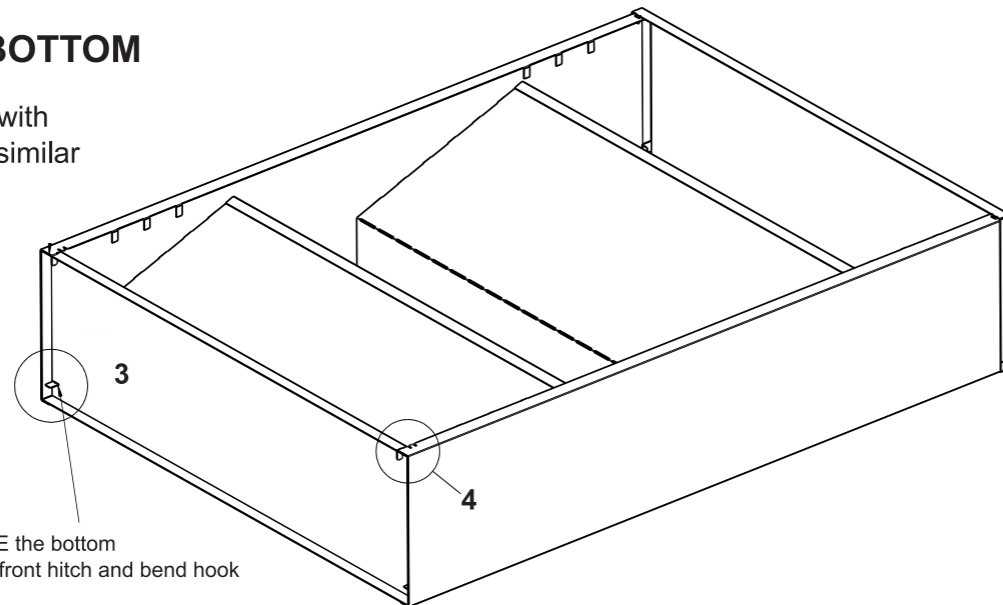


# ALLHALL CUBE

## SHOE CABINETS HB 2C, HB 3C

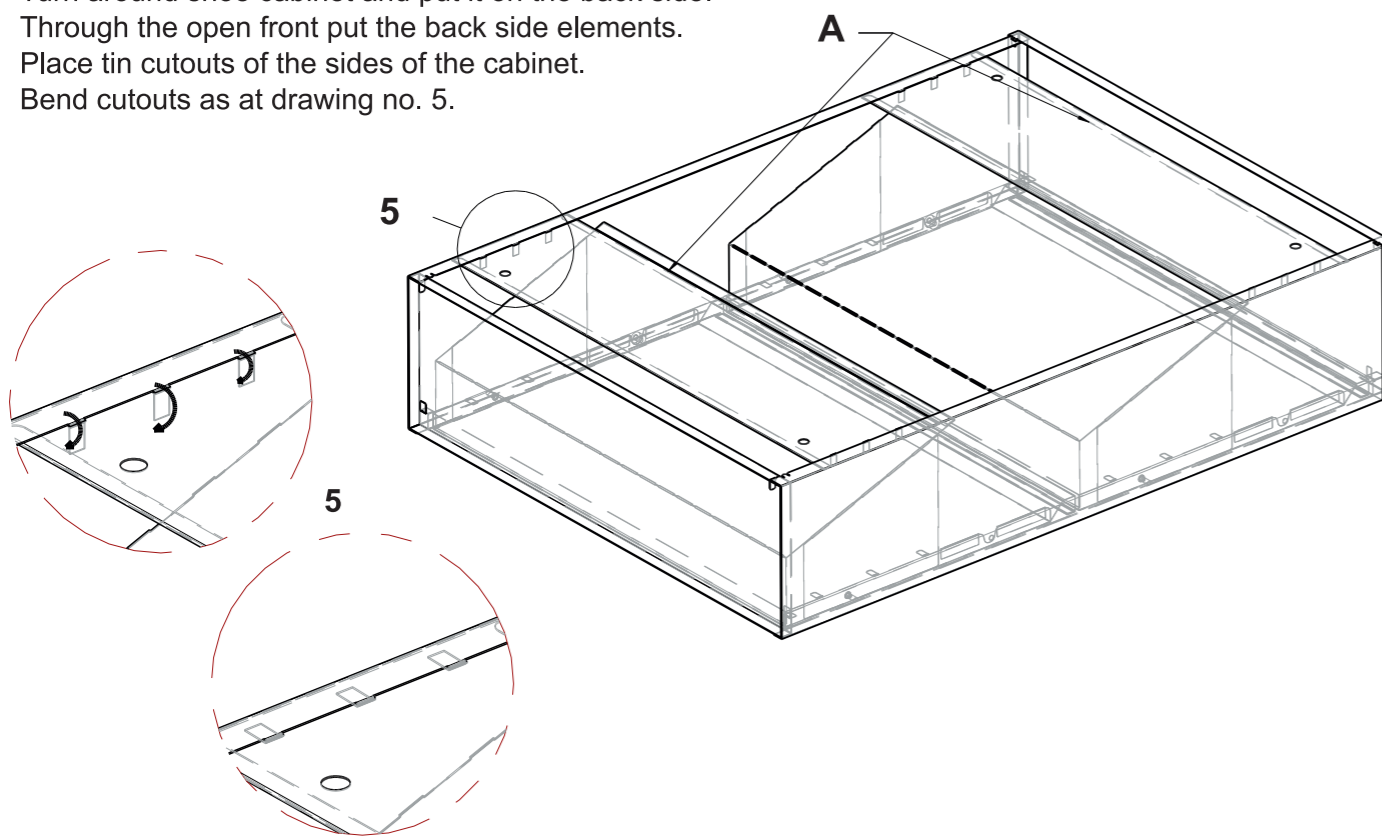
### 6. MOUNTING THE BOTTOM

Join the lower end of sides with the bottom. Fold brass tips similar to drawing no. 3 and 4.



### 7. MOUNTING THE BACK PART

Turn around shoe cabinet and put it on the back side. Through the open front put the back side elements. Place tin cutouts of the sides of the cabinet. Bend cutouts as at drawing no. 5.



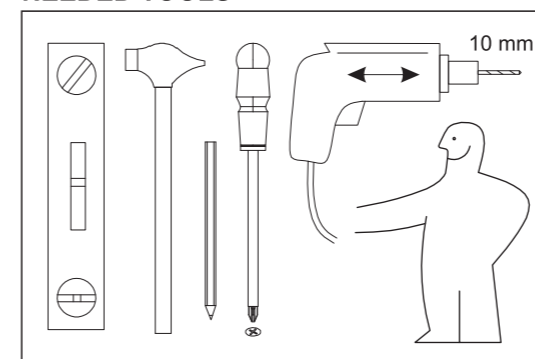
HB 2C

HB 3C

2 x HB 2C



### NEEDED TOOLS



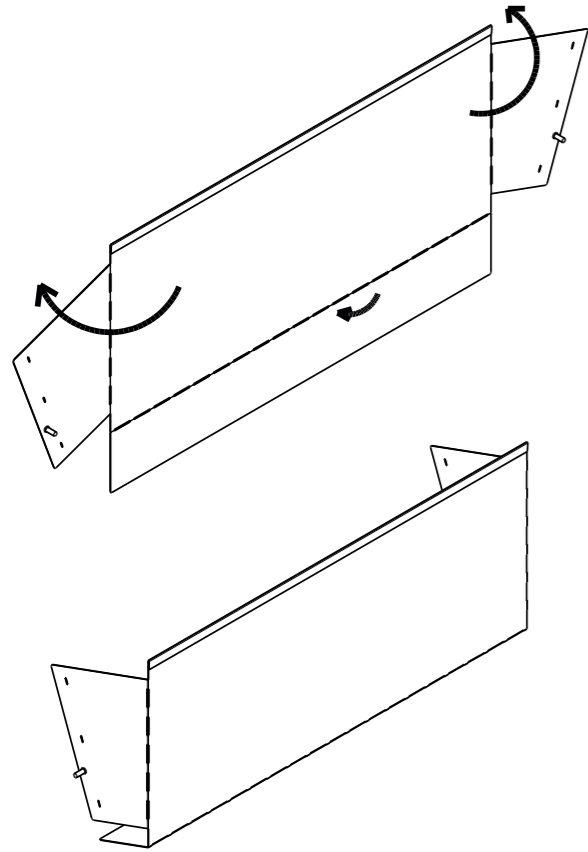
### PARTS LIST

ELEMENTS	
Cabinet set	1
Wall plug	2
Centring pin	2

Before getting started, check the contents of the package, prepare a free worktop or appropriate piece of floor and tools needed.

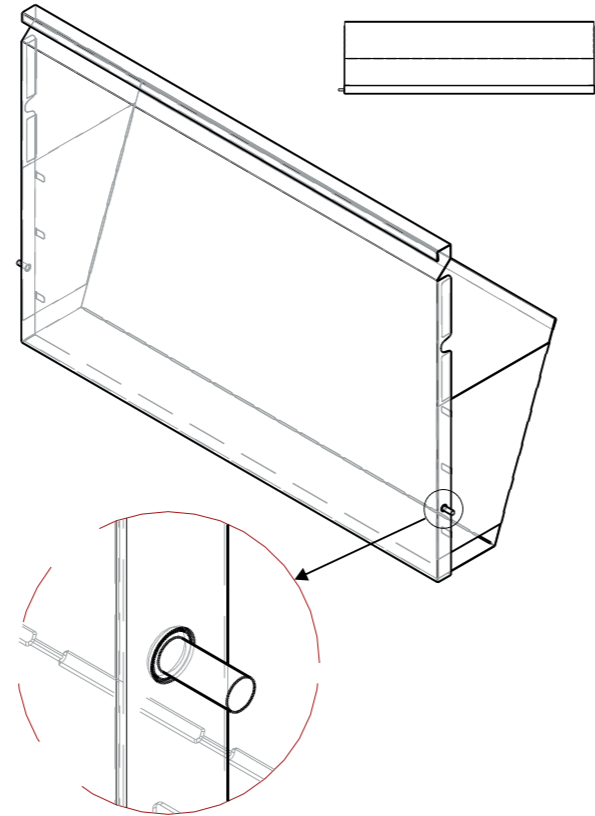
### 1. PREPARING INTERIOR OF SHOE DRAWERS

Bend two sides and the lower side of shoe drawer as at the drawing.



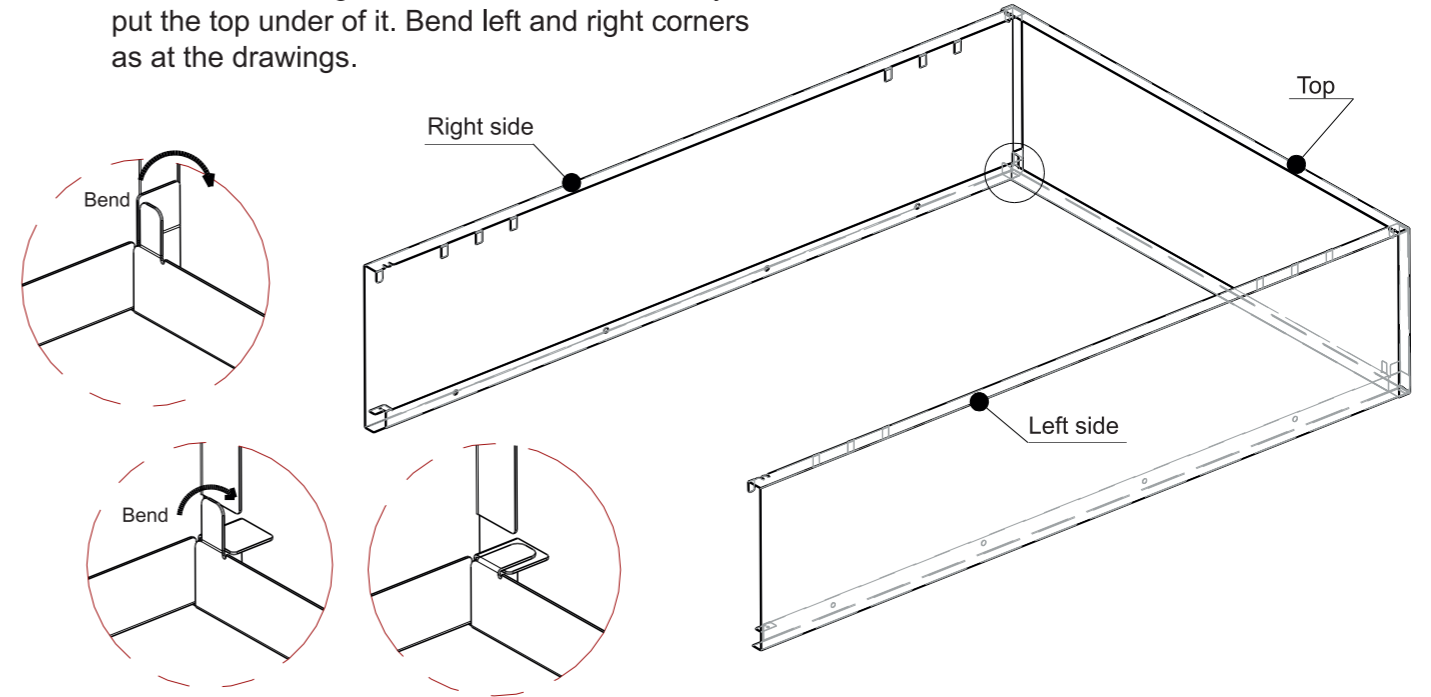
### 2. MOUNTIN SHOE DRAWERS TO THE FRONT DOOR

One drawer side put into drawer front, then second side gently squeeze inwards, push inside and put in the front of a drawer.

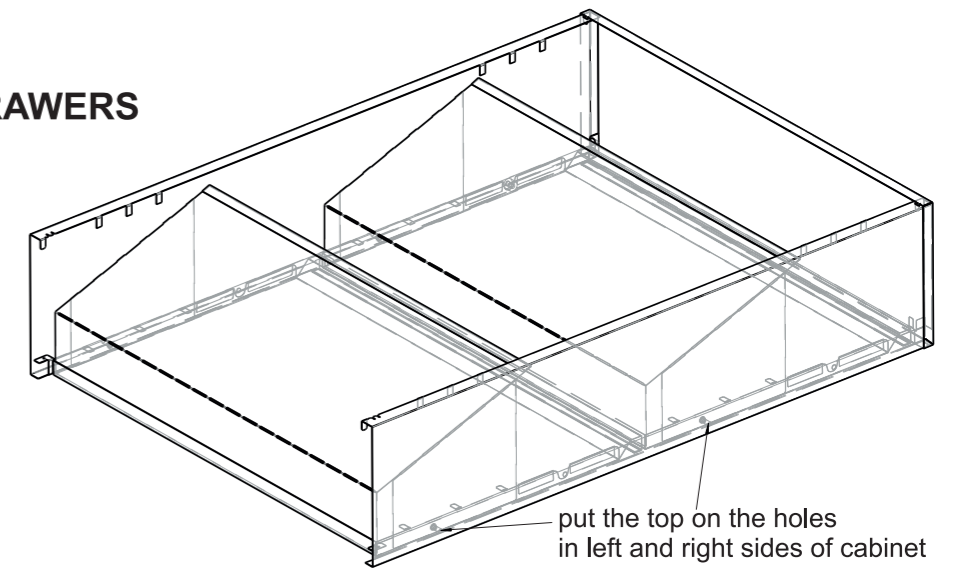


### 3. MOUNTING THE CABINET'S BODY

Set left and the right sides of the cabinet's body and put the top under of it. Bend left and right corners as at the drawings.



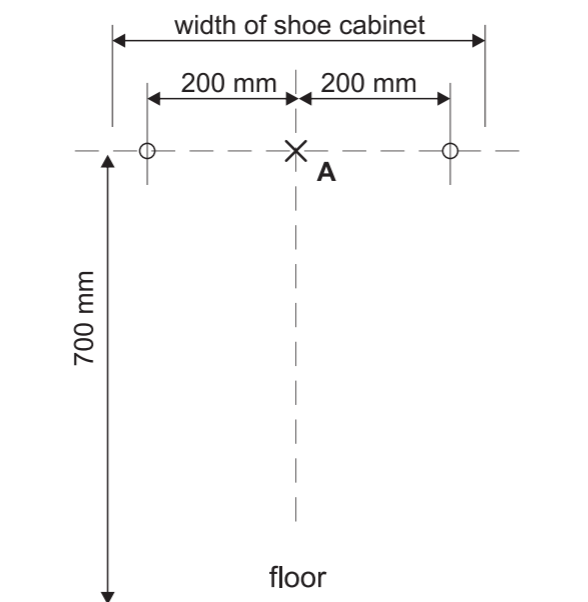
### 4. ARRANGEMENT OF DRAWERS



### 8. FIXING THE SHOE CABINET ON THE WALL

Mark on the wall width of shoe cabinet. At the height of 700 mm from the floor draw a horizontal line and mark the middle of shoe cabinet (point a). Symmetrically to the point a drill two holes for wall plugs. Instal wall plugs and fix cabinet to the wall.

DONE!



### 5. MOUNTING RUBBER SHOCKERS

